

CHENMAI

減速器結構圖

REDUCER SELECTION MANUAL



www.kong68.com

浙江宸麥傳動機械有限公司

ZHEJIANG CHENMAI TRANSMISSION MACHINERY CO.,LTD.

地址：浙江省平陽縣螯江鎮經濟開發園區390號

電話：0577-63625515

傳真：0577-63662716

客戶熱線：13306772577

網址：www.kong68.com

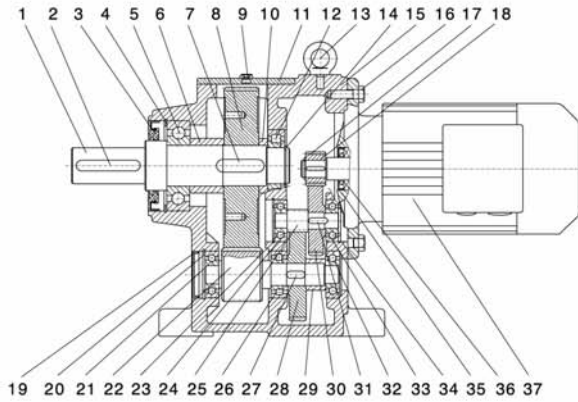
郵箱：wzklj68@126.com

CHENMAI[®]
宸麥



一. R系列结构图

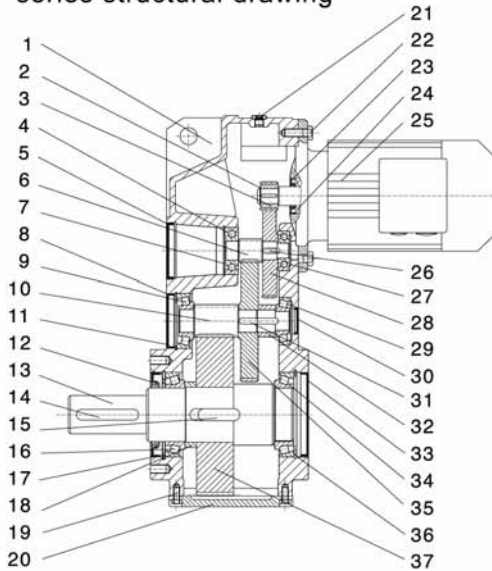
R series structural drawing



- | | | | |
|---------|-----------|------------|-----------|
| 1.输出轴 | 10.轴套II | 19.封盖 | 28.齿轮II |
| 2.平键I | 11.盖 | 20.孔用挡圈II | 29.轴套III |
| 3.输出轴油封 | 12.轴承II | 21.轴承III | 30.齿轮I |
| 4.孔用挡圈I | 13.吊环 | 22.齿轮轴III | 31.平键IV |
| 5.轴承I | 14.轴用挡圈I | 23.孔用挡圈III | 32.轴承VI |
| 6.轴套I | 15.箱体 | 24.轴承IV | 33.轴承VII |
| 7.平键II | 16.螺栓 | 25.齿轮轴II | 34.孔用挡圈IV |
| 8.齿轮III | 17.轴用挡圈II | 26.轴承V | 35.电机油封 |
| 9.通气帽 | 18.输入齿轮 | 27.平键III | 36.电机轴承 |
| | | | 37.电机 |
- | | | |
|---------------------|-------------------|---------------------|
| 1.Output shaft | 13.Hoisting ring | 25.Gear shaft II |
| 2.Parallel key | 14.Circlip II | 26.Bearing V |
| 3.Output shaft seal | 15.Housing | 27.Parallel key III |
| 4.Circlip I | 16.Bolts | 28.Gear II |
| 5.Bearing I | 17.Circlip II | 29.Bush III |
| 6.Bush I | 18.Input gear | 30.Gear I |
| 7.Parallel key II | 19.Cover | 31.Parallel key IV |
| 8.Gear III | 20.Circlip II | 32.Bearing VI |
| 9.Breather valve | 21.Bearing III | 33.Bearing VIII |
| 10.Bush II | 22.Gear shaft III | 34.Circlip IV |
| 11.Cover | 23.Circlip III | 35.Motor seal |
| 12.Bearing II | 24.Bearing IV | 36.Motor bearing |
| | | 37.Motor |

二. F系列结构图

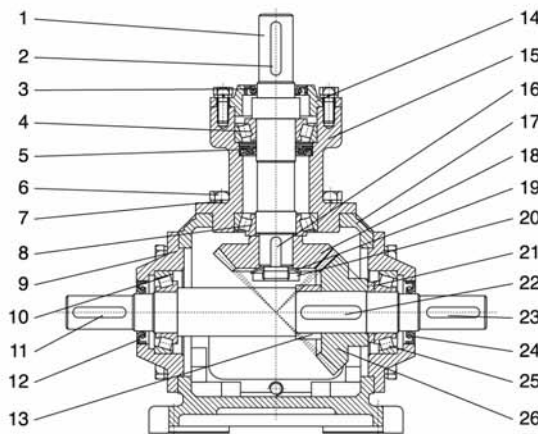
F series structural drawing



- | | | | |
|---------|------------|----------|-----------|
| 1.箱体 | 10.齿轮轴III | 19.螺栓 | 28.齿轮I |
| 2.轴用挡圈I | 11.孔用挡圈II | 20.盖 | 29.轴承V |
| 3.输入齿轮 | 12.输出轴油封 | 21.通气帽 | 30.封盖III |
| 4.孔用挡圈I | 13.输出轴 | 22.螺栓 | 31.平键IV |
| 5.封盖I | 14.平键I | 23.电机油封 | 32.轴套II |
| 6.齿轮轴II | 15.平键II | 24.电机轴承 | 33.封盖IV |
| 7.轴承I | 16.轴承III | 25.电机 | 34.轴承VI |
| 8.封盖II | 17.孔用挡圈III | 26.平键III | 35.齿轮II |
| 9.轴承II | 18.轴套III | 27.轴承IV | 36.孔用挡圈IV |
| | | | 37.齿轮III |
- | | | |
|----------------------|--------------------|---------------------|
| 1.Housing | 13.Output shaft | 25.Motor |
| 2.Circlip I | 14.Parallel key I | 26.Parallel key III |
| 3.Output gear | 15.Parallel key II | 27.Bearing IV |
| 4.Circlip I | 16.Bearing III | 28.Gear I |
| 5.Cover | 17.Circlip III | 29.Bearing V |
| 6.Gear shaft II | 18.Bush III | 30.Cover III |
| 7.Bearing I | 19.Bolts | 31.Parallel key IV |
| 8.Cover II | 20.Cover | 32.Bush II |
| 9.Bearing II | 21.Breather valve | 33.Cover IV |
| 10.Gear shaft III | 22.Bolts | 34.Bearing VI |
| 11.Circlip II | 23.Motor seal | 35.Gear II |
| 12.Output shaft seal | 24.Motor bearing | 36.Circlip IV |
| | | 37.Gear III |

三. T系列结构图

T series structural drawing

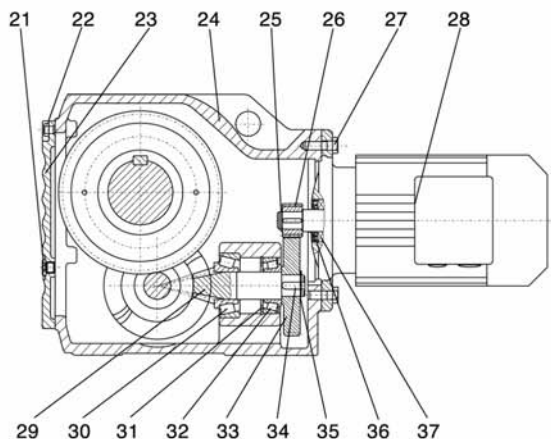
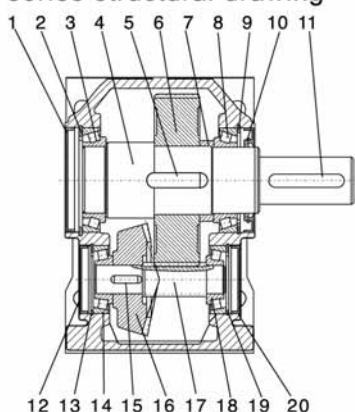


- | | | |
|---------|------------|------------|
| 1.输入轴 | 10.轴承III | 19.止动垫圈 |
| 2.平键I | 11.平键II | 20.圆螺母 |
| 3.输入轴油封 | 12.输出轴油封I | 21.调整垫I |
| 4.轴承I | 13.调整垫II | 22.平键IV |
| 5.输入轴油封 | 14.输入法兰盖 | 23.平键V |
| 6.螺栓 | 15.输入法兰 | 24.输出轴油封II |
| 7.弹簧垫圈 | 16.平键III | 25.轴承IV |
| 8.轴承II | 17.箱体 | 26.输出弧齿锥齿轮 |
| 9.输出法兰 | 18.输入弧齿锥齿轮 | |
- | | | |
|--------------------|------------------------|-------------------------|
| 1.Input shaft | 10.Bearing III | 19.Washer |
| 2.Parallel key I | 11.Parallel key II | 20.Round screw nut |
| 3.Input shaft seal | 12.Output shaft seal I | 21.Ring I |
| 4.Bearing I | 13.Ring II | 22.Parallel key IV |
| 5.Input shaft seal | 14.Input flange cover | 23.Parallel key V |
| 6.Bolts | 15.Input flange | 24.Output shaft seal II |
| 7.Washer | 16.Parallel key III | 25.Bearing IV |
| 8.Bearing II | 17.Housing | 26.Output helical |
| 9.Output flange | 18.Input helical | -bevel gear |



四. K系列结构图

K series structural drawing



- 1.封盖 I
- 2.孔用挡圈 I
- 3.轴承 I
- 4.输出轴
- 5.平键 I
- 6.齿轮 III
- 7.轴套 III
- 8.轴承 II
- 9.孔用挡圈 II
- 10.输出轴油封
- 11.平键 II
- 12.封盖 II
- 13.孔用挡圈 III
- 14.轴承 III
- 15.平键 III
- 16.弧齿锥齿轮
- 17.齿轮轴 III
- 18.轴承 IV
- 19.孔用挡圈 IV
- 20.封盖 III
- 21.通气帽

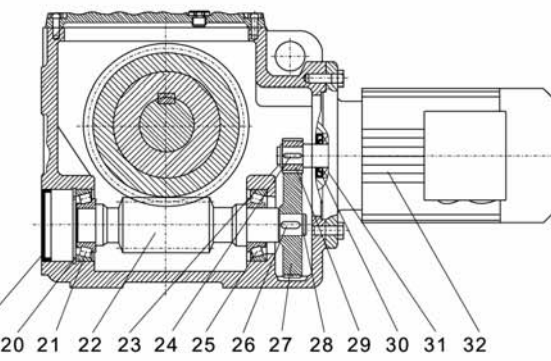
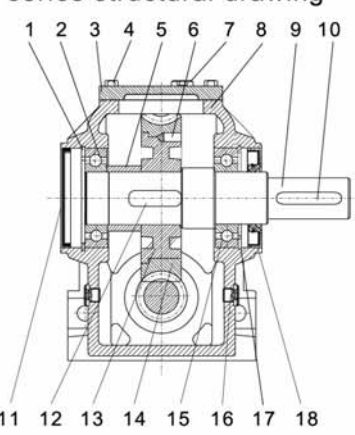
- 22.螺栓 I
- 23.端盖
- 24.箱体
- 25.轴用挡圈 I
- 26.输入齿轮
- 27.螺栓 II
- 28.电机
- 29.弧齿锥齿轮轴
- 30.轴承 V
- 31.孔用挡圈 V
- 32.轴承 VI
- 33.齿轮 I
- 34.平键 IV
- 35.轴用挡圈 II
- 36.电机油封
- 37.电机轴承

- 1.Cover I
- 2.Circlip I
- 3.Bearing I
- 4.Output shaft
- 5.Parallel key I
- 6.Gear III
- 7.Bush III
- 8.Bearing II

- 9.Circlip II
- 10.Output shaft seal
- 11.Parallel key II
- 12.Cover II
- 13.Circlip III
- 14.Bearing III
- 15.Parallel key III
- 16.Helical-bevel gear
- 17.Gear shaft III
- 18.Bearing IV
- 19.Circlip IV
- 20.Cover III
- 21.Breather valve
- 22.Bolts II
- 23.Cover
- 24.Housing
- 25.Circlip I
- 26.Input gear
- 27.Bolts II
- 28.Motor
- 29.Helical-bevel gear shaft
- 30.Bearing V
- 31.Circlip V
- 32.Bearing VI
- 33.Gear I
- 34.Parallel key IV
- 35.Circlip II
- 36.Motor seal
- 37.Motor bearing

五. S系列结构图

S series structural drawing



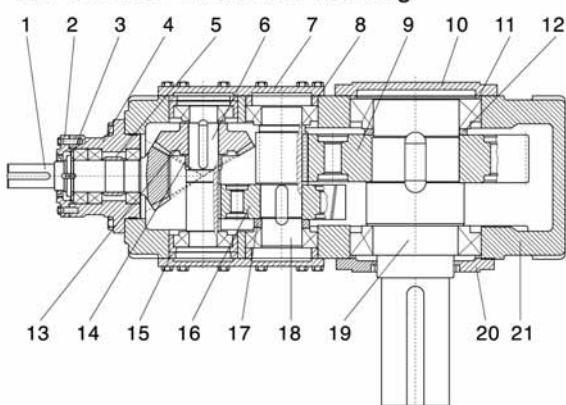
- 1.孔用挡圈 I
- 2.轴承 I
- 3.盖
- 4.螺栓 II
- 5.轴套 III
- 6.螺钉
- 7.通气帽
- 8.箱体
- 9.输出轴
- 10.平键 I
- 11.封盖 I
- 12.平键 II
- 13.蜗轮芯
- 14.蜗轮轮缘
- 15.轴承 II
- 16.油镜
- 17.孔用挡圈 II
- 18.输出轴油封
- 19.封盖 II
- 20.孔用挡圈 III
- 21.轴承 III
- 22.蜗杆
- 23.轴用挡圈 I
- 24.平键 III
- 25.轴承 IV
- 26.平键 IV
- 27.齿轮 I
- 28.轴用挡圈 II
- 29.输入齿轮
- 30.电机油封
- 31.电机轴承
- 32.电机

- 1.Circlip I
- 2.Bearing I
- 3.Cover
- 4.Bolts II
- 5.Bush III
- 6.Screws
- 7.Breather valve
- 8.Housing

- 9.Output shaft
- 10.Parallel key I
- 11.Cover I
- 12.Parallel key II
- 13.Worm wheel core
- 14.Worm wheel edge
- 15.Bearing II
- 16.Oil sight glass
- 17.Circlip II
- 18.Output shaft seal
- 19.Cover II
- 20.Circlip III
- 21.Bearing III
- 22.Worm
- 23.Circlip I
- 24.Parallel key III
- 25.Bearing IV
- 26.Parallel key IV
- 27.Gear I
- 28.Circlip II
- 29.Input gear
- 30.Motor seal
- 31.Motor bearing
- 32.Motor

六. H、B系列结构图

H、B series structural drawing



- 1.弧齿锥齿轮轴
- 2.通盖 I
- 3.调整环 I
- 4.轴承座
- 5.定距环 I
- 6.齿轮轴 I
- 7.止盖 I
- 8.调整环 III
- 9.齿轮 III
- 10.止盖 II
- 11.调整环 IV
- 12.定距环 IV
- 13.弧齿锥齿轮
- 14.定距环 II
- 15.调整环 II
- 16.齿轮 II
- 17.定距环 III
- 18.齿轮轴 II
- 19.输出轴
- 20.通盖 II
- 21.机体

- 1.Helical-bevel gear shaft
- 2.Cover I
- 3.Ring I
- 4.Bearing seat
- 5.Ring I
- 6.Gear shaft I
- 7.Cover I
- 8.Ring III
- 9.Gear III
- 10.Cover II
- 11.Ring IV
- 12.Ring IV
- 13.Helical-bevel gear
- 14.Ring II
- 15.Ring II
- 16.Gear II
- 17.Ring III
- 18.Gear shaft II
- 19.Output shaft
- 20.Cover II
- 21.Housing